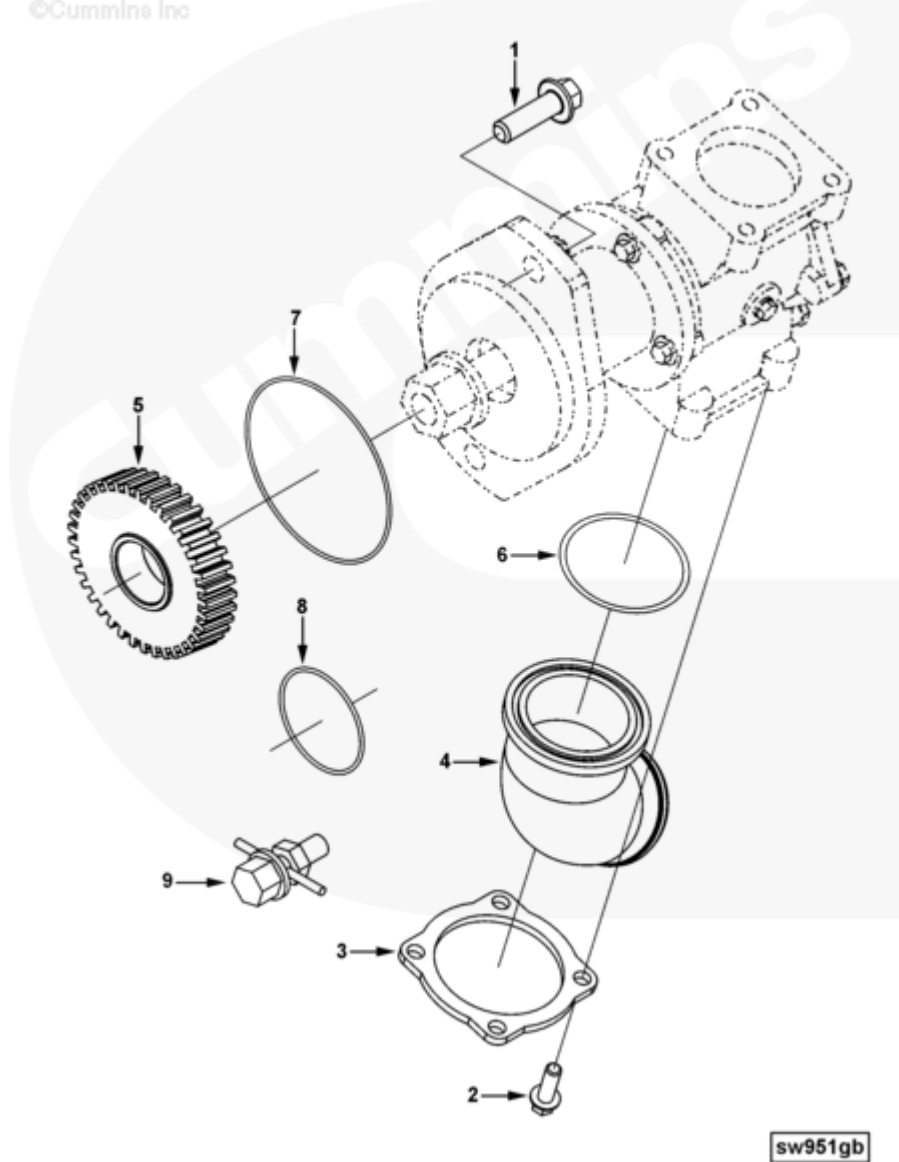




Parts Catalog - Option Detail

Electronic Parts Catalog - Option Detail				
Option	Group	Graphic	Film Card	Date
SW9061	08.11	sw951gb	Z	16-JUN-06
Engines	6C8.3, C GAS PLUS CM556, G8.3, G8.3 CM558, GTA8.3 CM558, ISC CM2150, ISC CM554, ISC CM850, ISC8.3 CM2250, ISC8.3 G CM2180 C101, ISL CM2150, ISL CM554, ISL CM850, ISL G CM2180, ISL8.9 CM2150 L110, ISL8.9 CM2880 L112, ISL9 CM2150 SN, ISL9 CM2250, ISL9 CM2350 L101, ISL9 CM2350 L111, ISLE4 CM850, L GAS PLUS CM556, L8.9, L8.9 L121, L8.9G CMOH2.0 L125B, L9 CM2350 L116B, L9 CM2350 L119B, L9 CM2350 L120C, L9 CM2350 L123B, L9.3 L105, L9.5 L117, L9N CM2380 L124B, QSC8.3 CM2250, QSC8.3 CM2880 C102, QSC8.3 CM554, QSC8.3 CM850(CM2850), QSL9 CM2250, QSL9 CM2250 L115, QSL9 CM2350 L102, QSL9 CM2350 L107, QSL9 CM2350 L118, QSL9 CM2350 L122, QSL9 CM554, QSL9 CM850(CM2850), QSL9 G CM558, QSL9 M CM2250 L106, QSL9.3 CM2880 L113			



sw951gb

SMALL | MEDIUM | LARGE

Cart	Ref No	Part Number	Part Description	Required	Remarks
View My Cart					
		SW9061	Raw Water Pump		MR - PUMP, RAW WATER...(More)
					Engine Family: C Series
					Engine Cylinders: 6
					Manufacturing/Model:
					Sherwood
					Flow Rate 80 GPM at 3390 Pump
					RPM (15 PSI Back Pressure)
					Drive Method: Accessory
					Drive Gear
					Outlet Flange: 101-2 (SAE B)
					Inlet OD (mm): 63.5
					Outlet OD (mm): 50.8
					Cooler Connection Tube ID
					(in.): 50.8
					Unique Characteristic: 45
					Degree Inlet
	1	3910540	Hexagon Flange Head Cap Screw	2	
<input type="checkbox"/>		4937162	Sea Water Pump	1	Order Individual Parts
<input type="checkbox"/>	2	3900631	Hexagon Flange Head Cap Screw	4	M8 X 1.25 X 25.
<input type="checkbox"/>	3	3974134	Flange	1	
<input type="checkbox"/>	4	3974135	Water Inlet Connection	1	
<input type="checkbox"/>		4937275	Sea Water Pump	1	
<input type="checkbox"/>	5	3931338	Accessory Drive Gear	1	
<input type="checkbox"/>		4937276	Sea Water Pump	1	
<input type="checkbox"/>	6	3866633	O-Ring Seal	2	
<input type="checkbox"/>	7	4019428	O-Ring	1	
<input type="checkbox"/>	8	4942088	Cover Seal	1	Sold In Higher Level Assy/Kit

<input type="checkbox"/>	9	4942096	Impeller Removal Tool	1	
<input type="checkbox"/>		3972366	Raw Water Pump-Minor Kit	A/R	
<input type="checkbox"/>		3866633	O-Ring Seal	2	
<input type="checkbox"/>		4019428	O-Ring	1	
		4942087	Impeller	1	
<input type="checkbox"/>		4942088	Cover Seal	1	
<input type="checkbox"/>		4943179	Raw Water Pump-Intermediate Kit	A/R	
<input type="checkbox"/>		3866633	O-Ring Seal	2	
<input type="checkbox"/>		4019407	External Retainer Ring	1	
<input type="checkbox"/>		4019410	Washer	1	
<input type="checkbox"/>		4019411	Intake Retainer Ring	1	
<input type="checkbox"/>		4019428	O-Ring	1	
		4942087	Impeller	1	
<input type="checkbox"/>		4942088	Cover Seal	1	
		4942089	Mechanical Seal	1	
		4942090	Wear Plate	1	
<input type="checkbox"/>		4942091	Wear Plate Screw	2	
		4942092	Cover Plate	1	
<input type="checkbox"/>		4942096	Impeller Removal Tool	1	
<input type="checkbox"/>		4943180	Raw Water Pump-Major Kit	A/R	
<input type="checkbox"/>		3866633	O-Ring Seal	2	
<input type="checkbox"/>		4019407	External Retainer Ring	1	
<input type="checkbox"/>		4019410	Washer	1	
<input type="checkbox"/>		4019411	Intake Retainer Ring	1	
<input type="checkbox"/>		4019428	O-Ring	1	

		4942087	Impeller	1	
<input type="checkbox"/>		4942088	Cover Seal	1	
		4942089	Mechanical Seal	1	
		4942090	Wear Plate	1	
<input type="checkbox"/>		4942091	Wear Plate Screw	2	
		4942092	Cover Plate	1	
		4942093	Lip Seal	1	
		4942094	Slinger	1	
		4942095	Shaft And Bearing	1	
<input type="checkbox"/>		4942096	Impeller Removal Tool	1	

© 2019 Cummins Inc., Box 3005, Columbus, IN 47202-3005 U.S.A.
Terms of Use and Disclaimers | Recommended System Requirements
Need Assistance? Please click on the Contact Us button in the top right corner of any page.